



## Aerohead® Plus

# Streamlined // Sustainable

Made in Europe, Aerohead® Plus offers the premium aesthetics of Aerohead®, with greater efficiency and sustainability. Its unique, eco-conscious design comes with post-consumer recycled (PCR) options, including the trigger, grip and cap. With its great ergonomics, Aerohead Plus promises a comfortable spraying experience. Best of all, our local supply chain means you can get your products into the hands of consumers faster.



# Aerohead® Plus

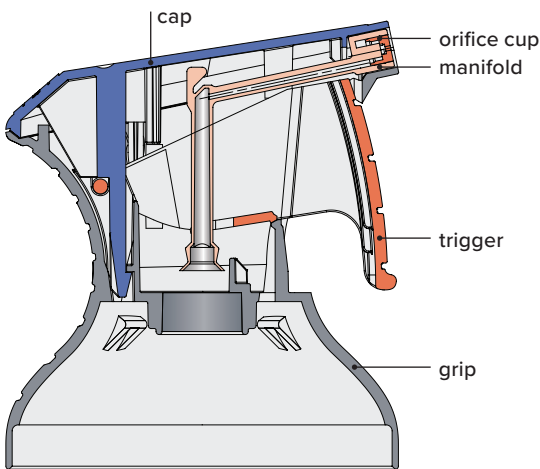
Maximum efficiency with minimal environmental impact

## Technical Features & Benefits

- Produced in Europe for faster lead times
- Available in PCR
- Ergonomic easy-to-use design
- Unique aesthetic for shelf differentiation
- Low force to actuate that may help reduce finger fatigue
- Directional spray enhances user control

## Applications

- Auto
- Home
- Laundry
- Garden
- Professional
- Paint



**Technical Requirements** Can size: 207.51/211  
Valve stem: male

**Spray Patterns** narrow, medium, wide, stream, custom

**Trigger Design** track, customizable

**PCR Components** trigger, grip, cap